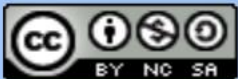
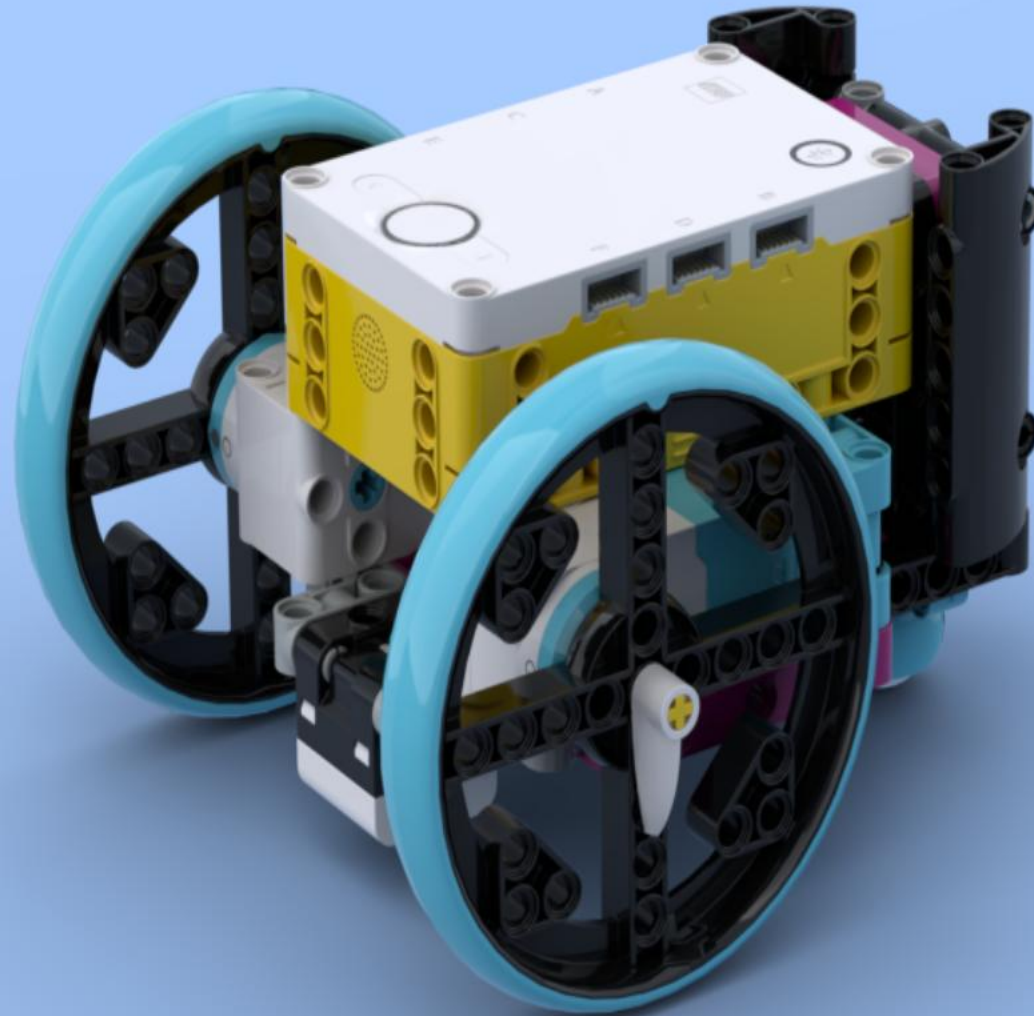


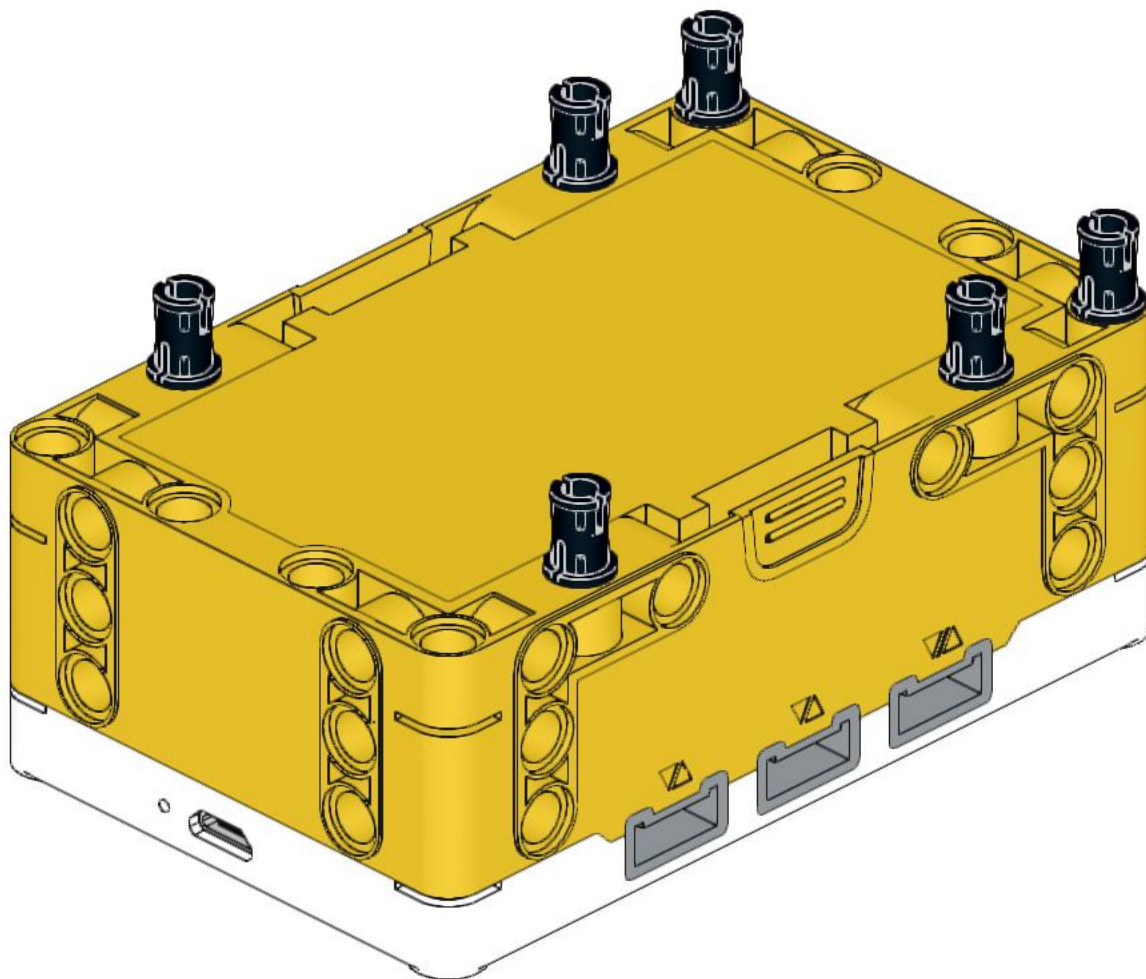
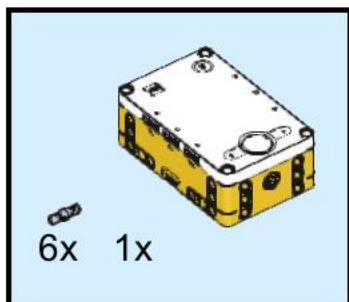
# SPIKE TurBot **phobricks**



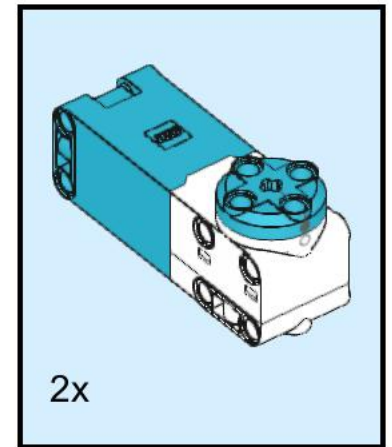
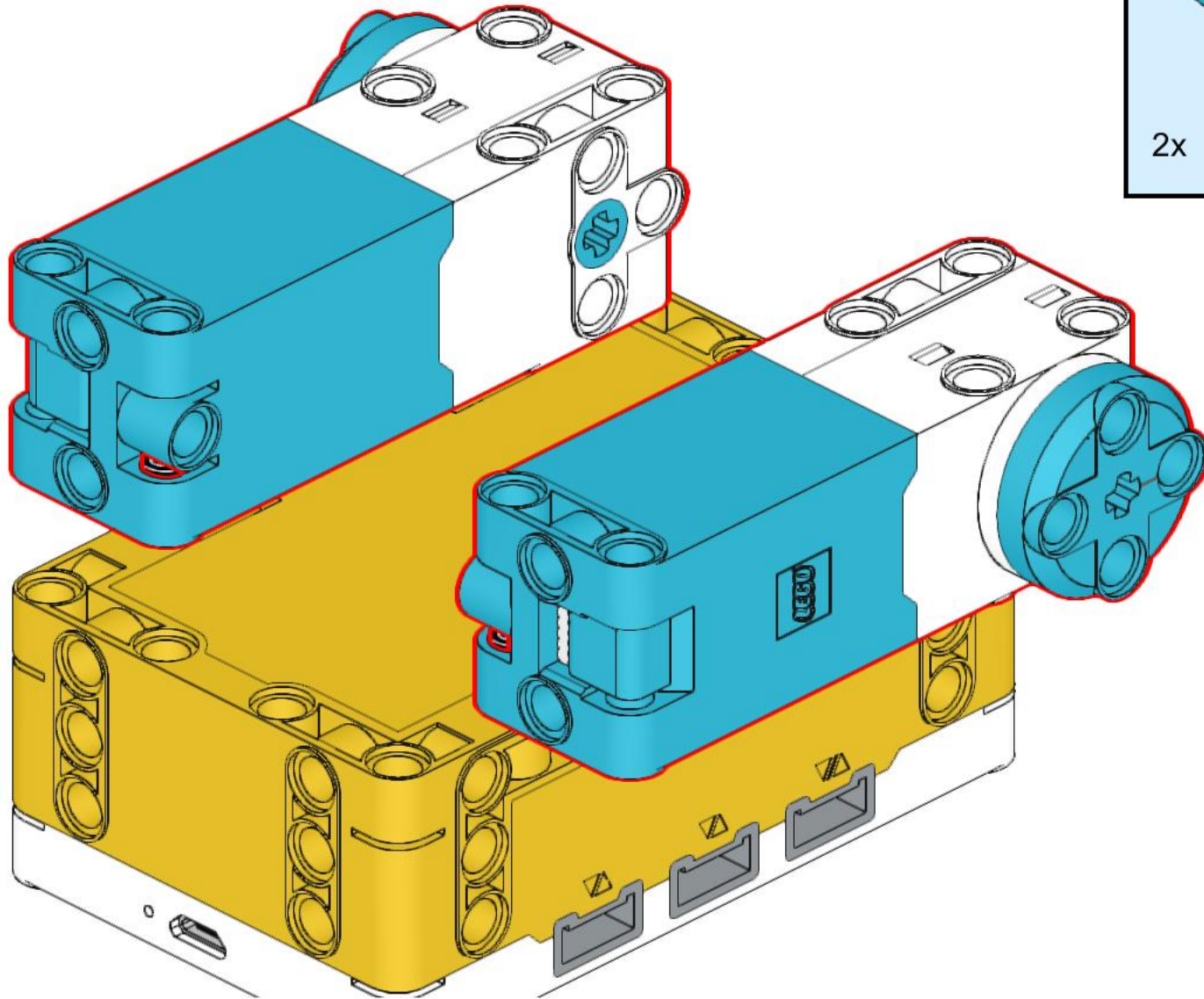
SPIKE TurBot by Frank Ellerkamp - <https://phobricks.ch> - v1.0 - 20200706

Frank Ellerkamp

1

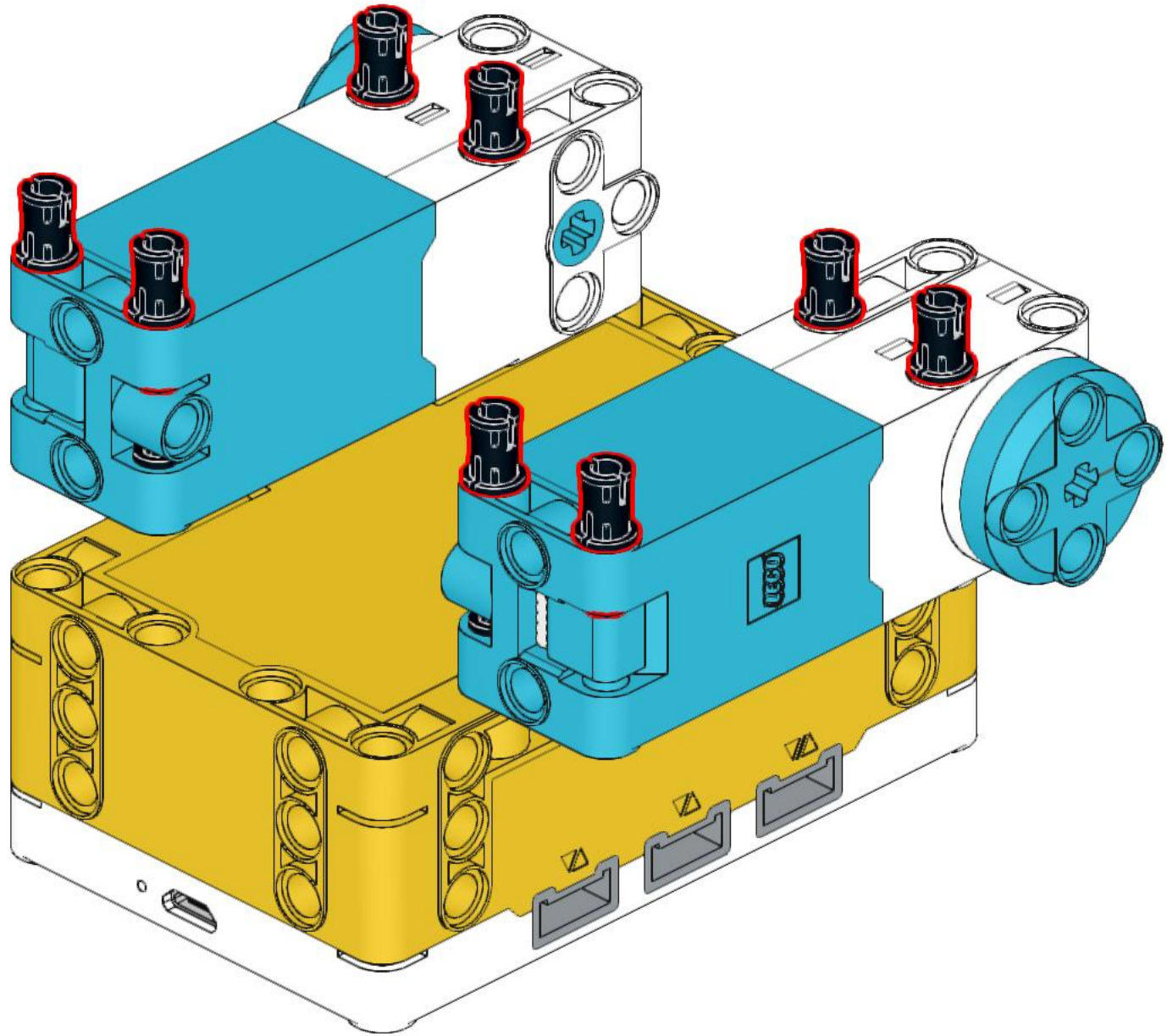


2

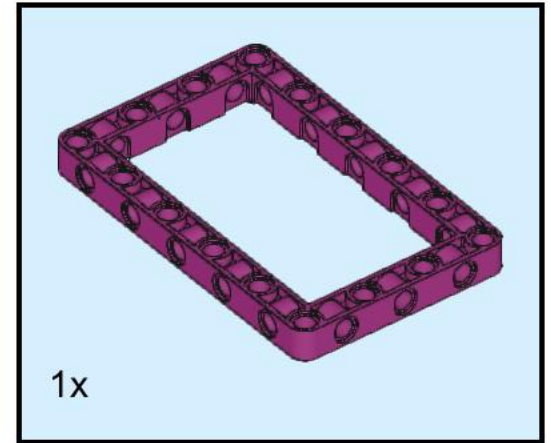
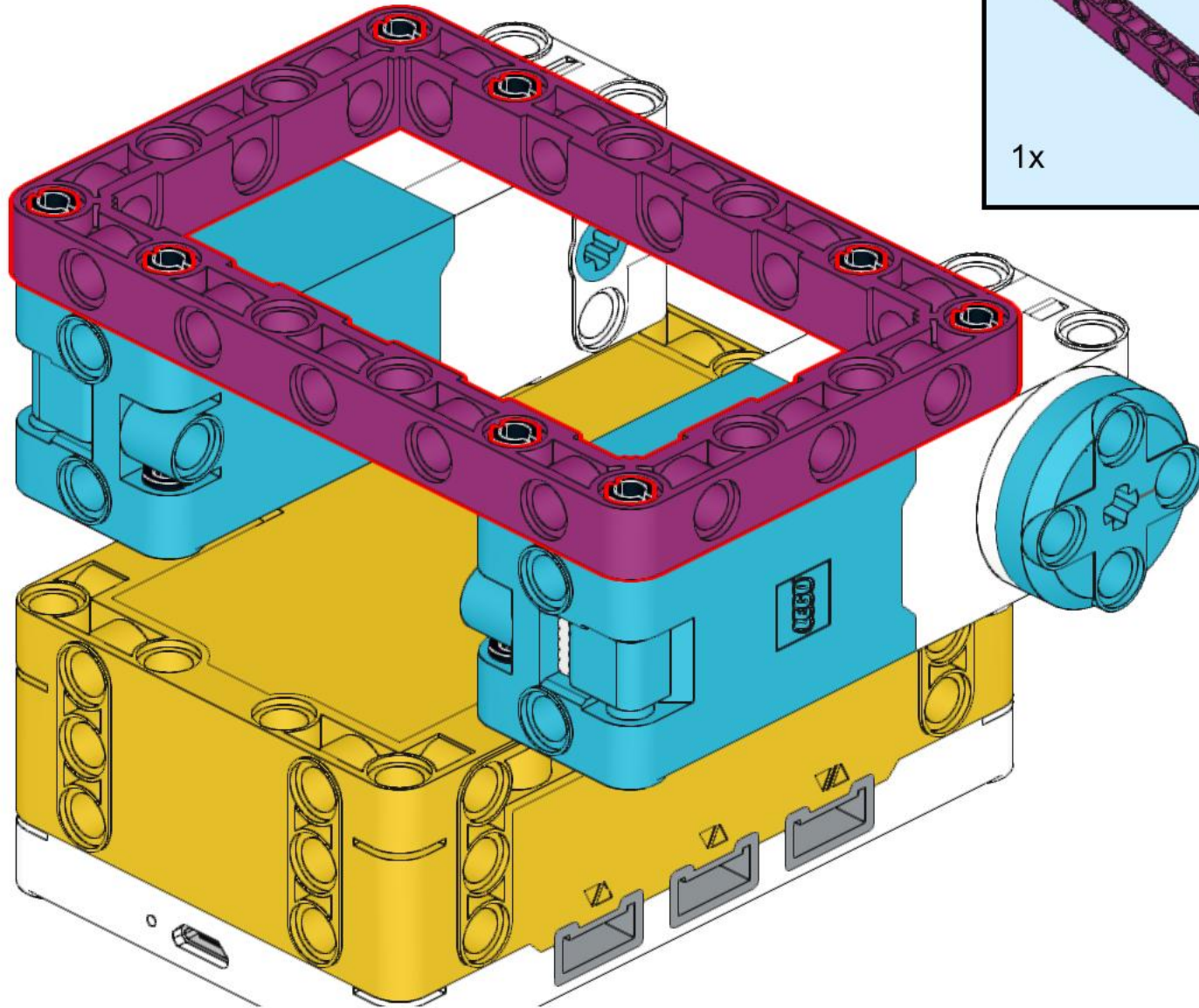


2x

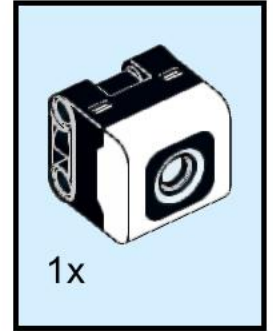
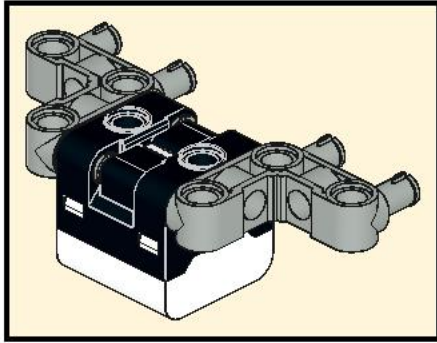
3



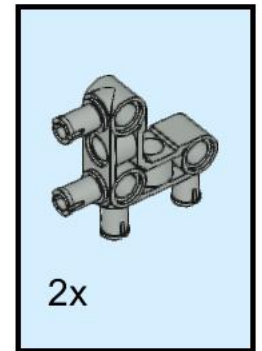
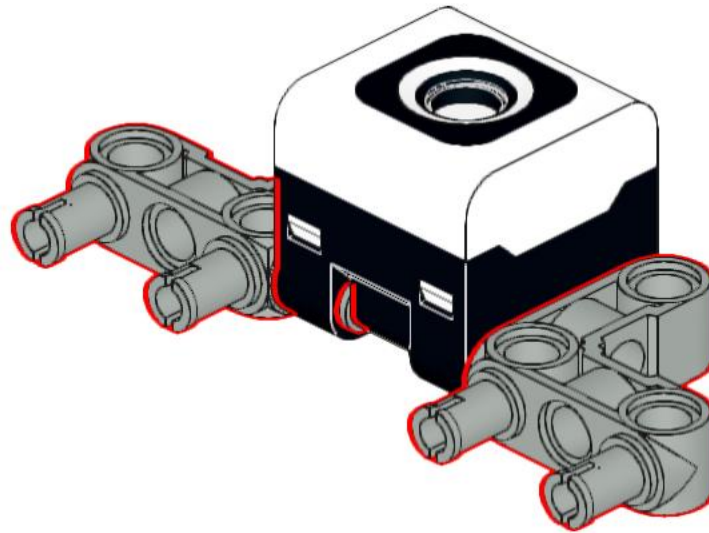
4



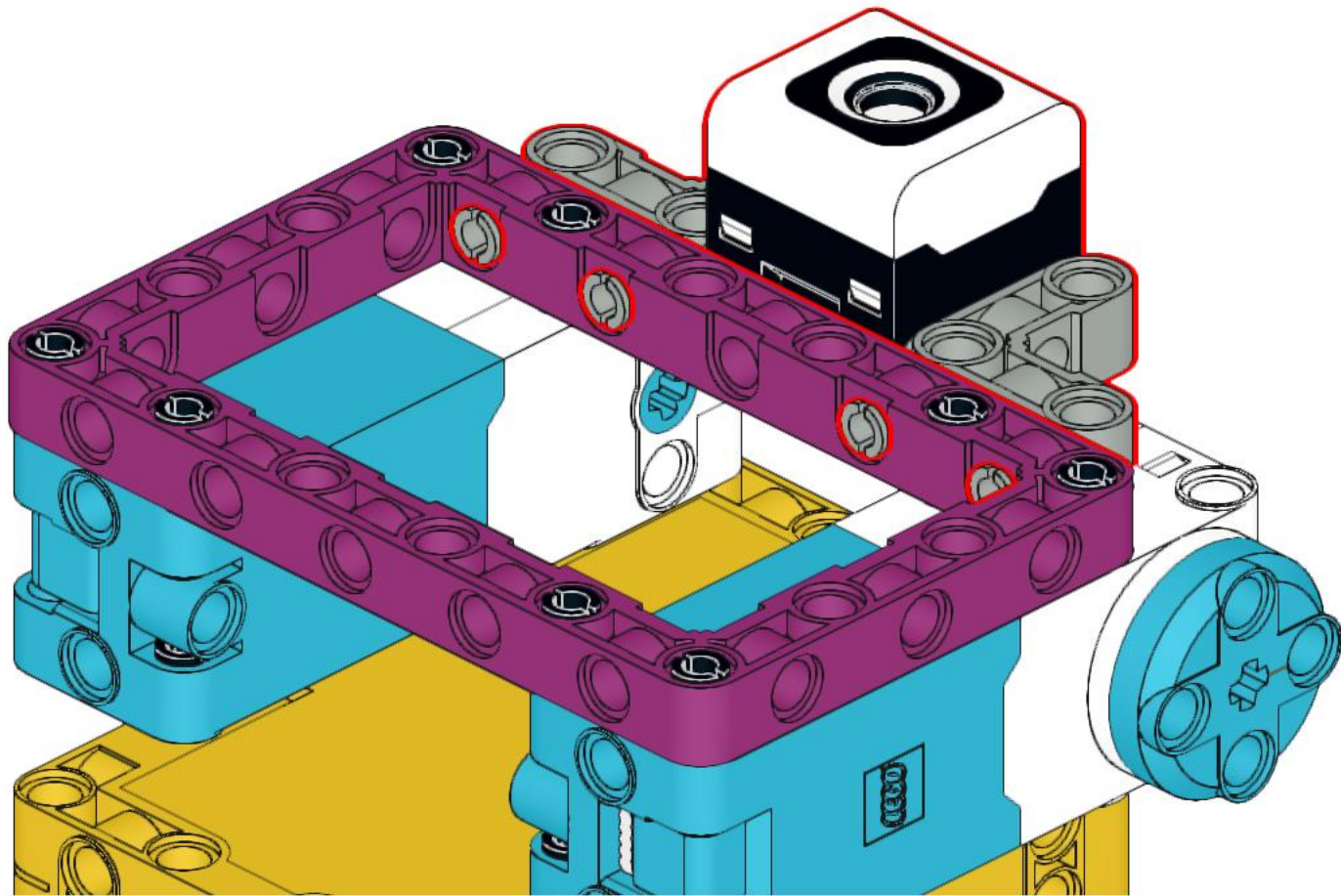
5



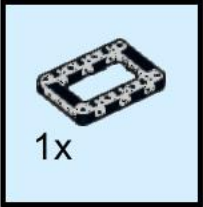
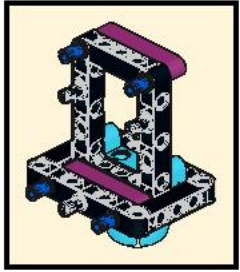
6



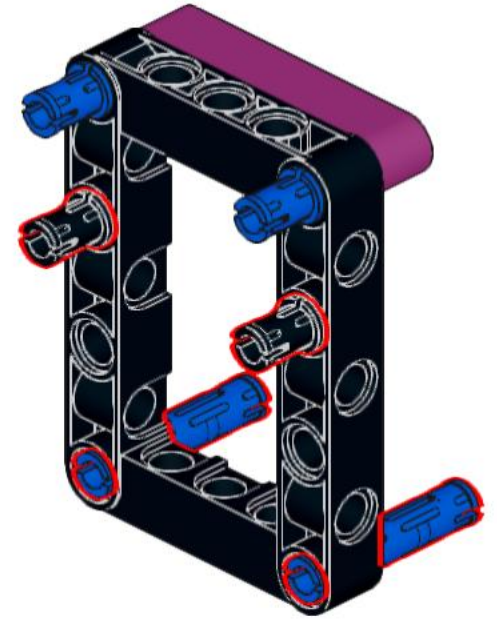
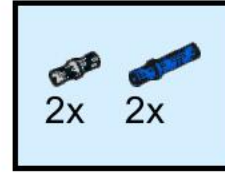
7



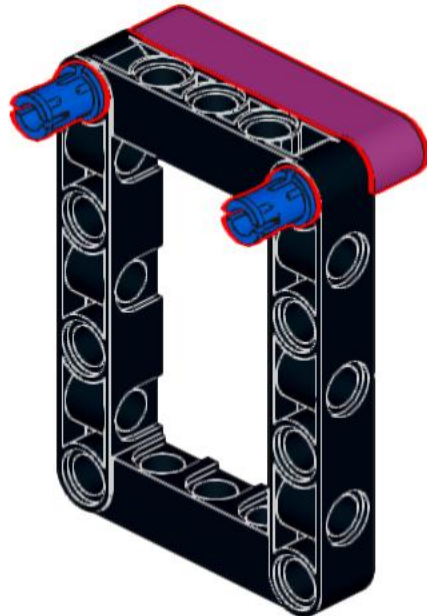
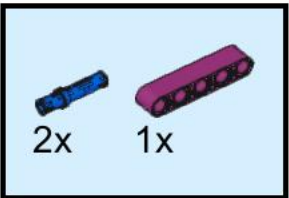
8



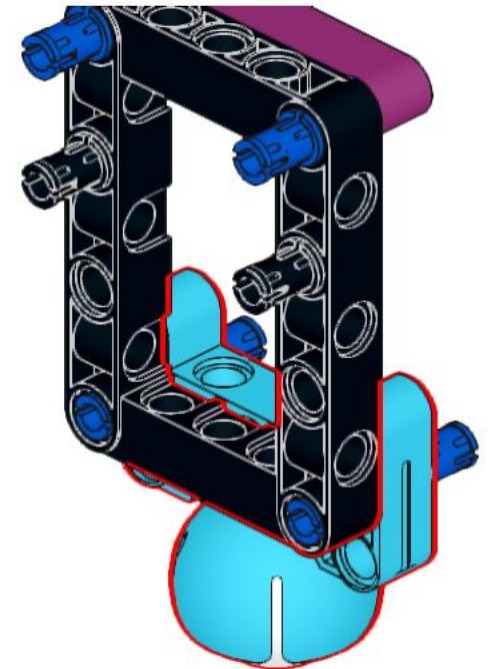
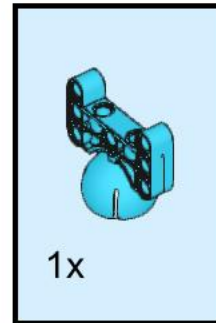
10



9

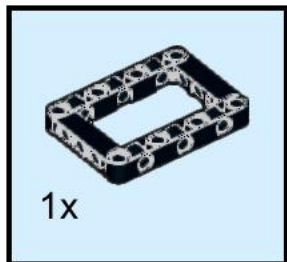


11

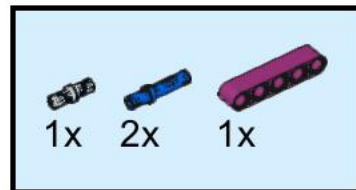




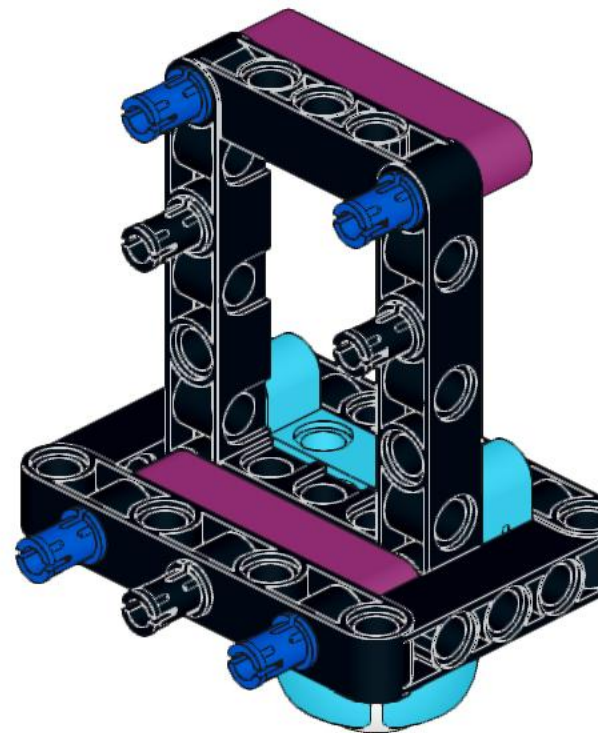
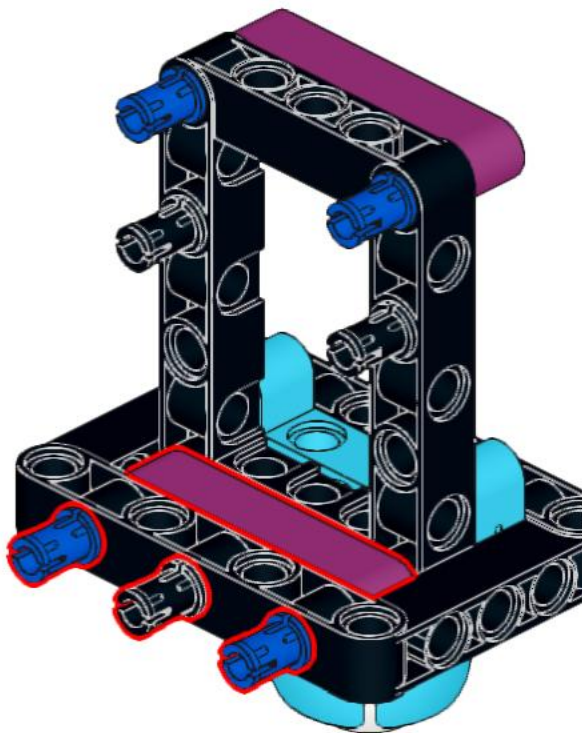
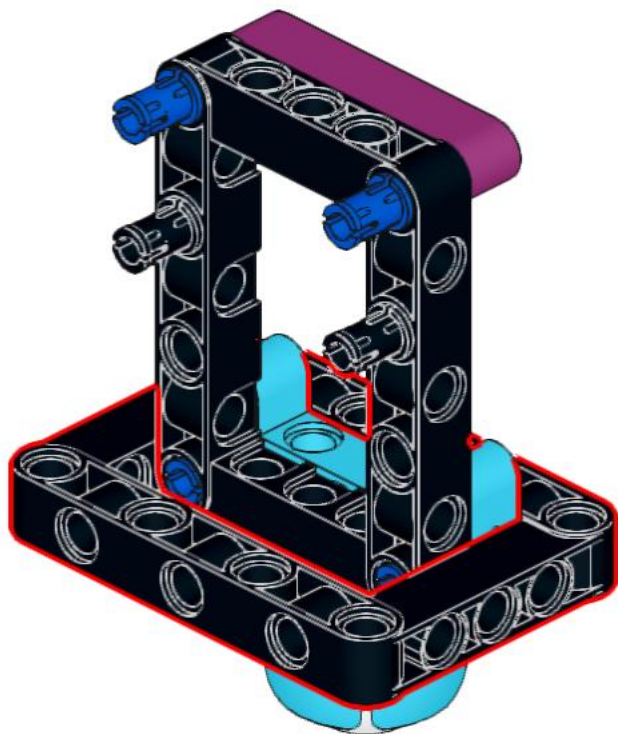
# 12



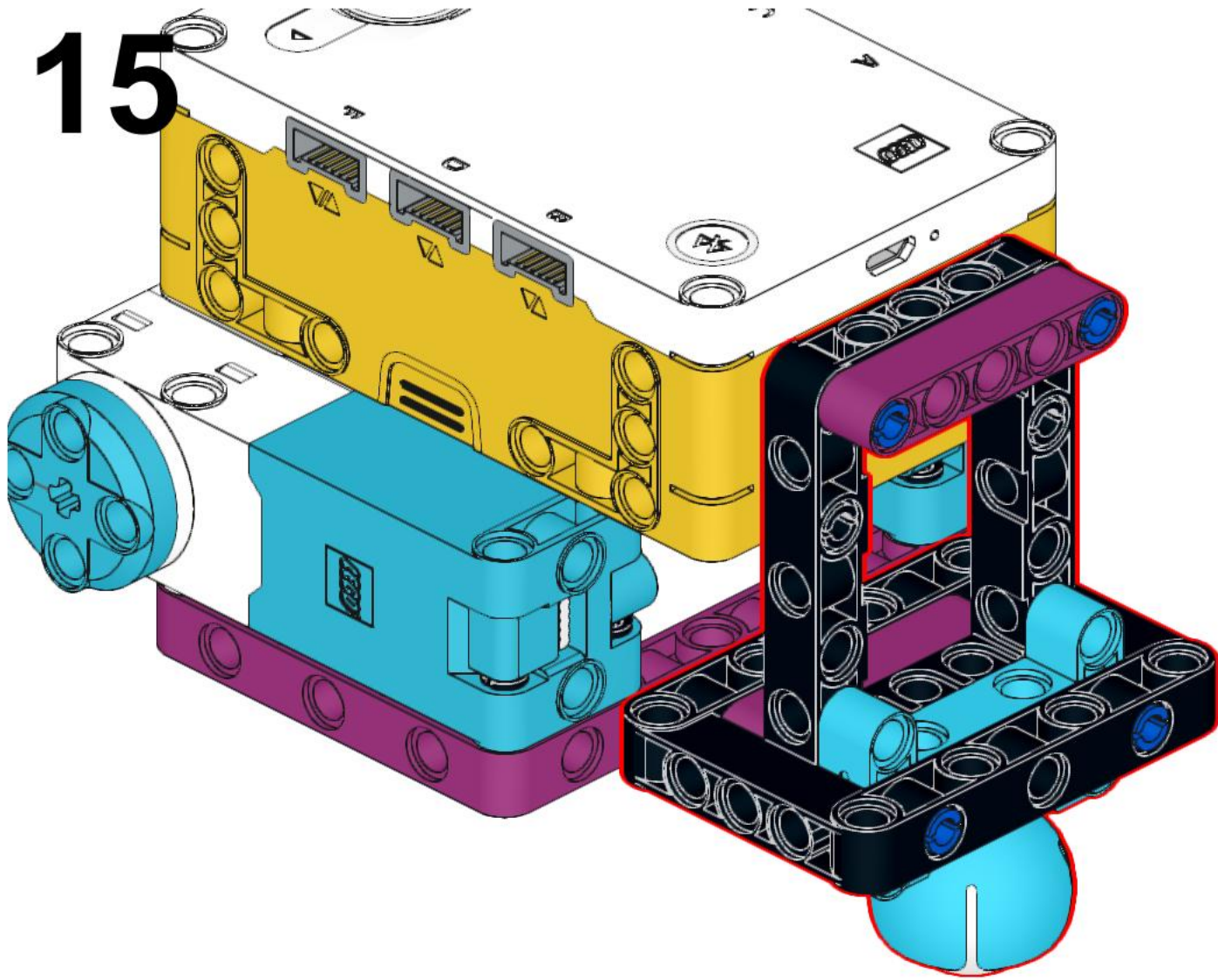
# 13



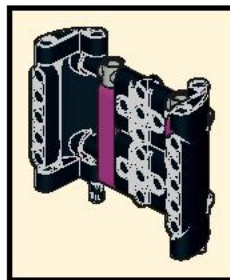
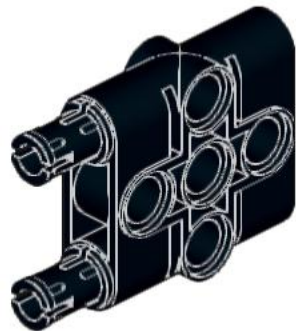
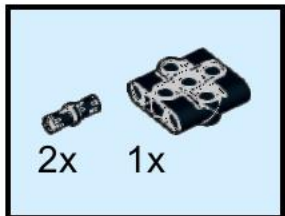
# 14



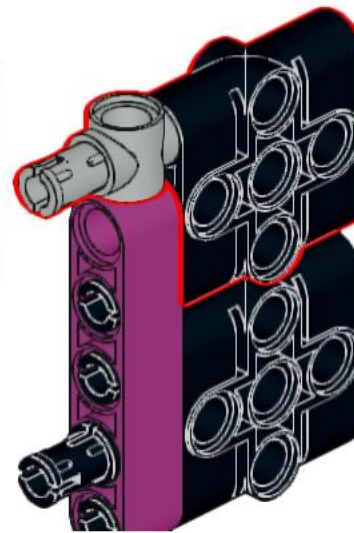
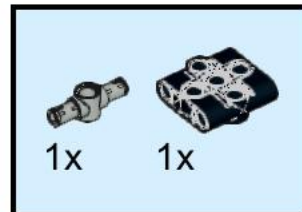
15



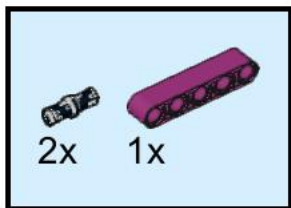
# 16



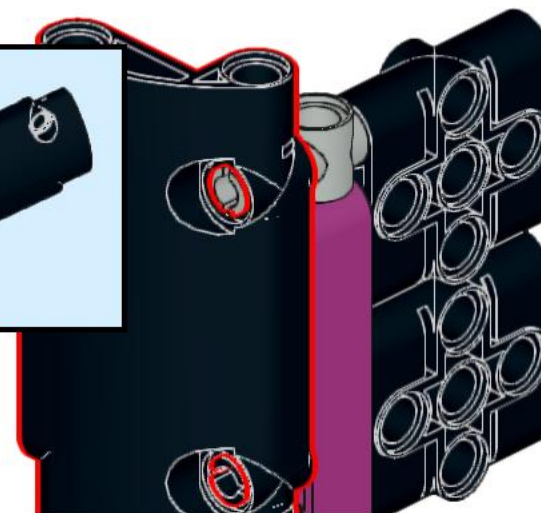
# 18



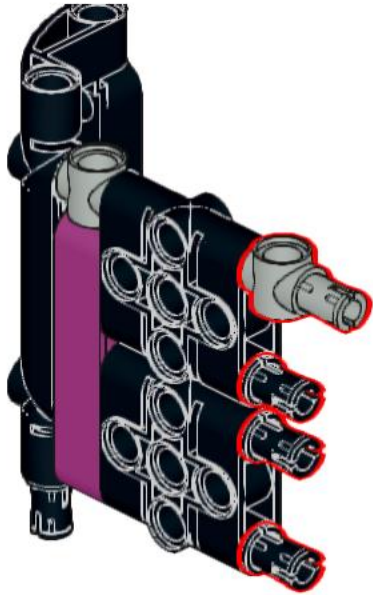
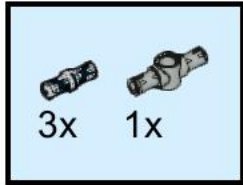
# 17



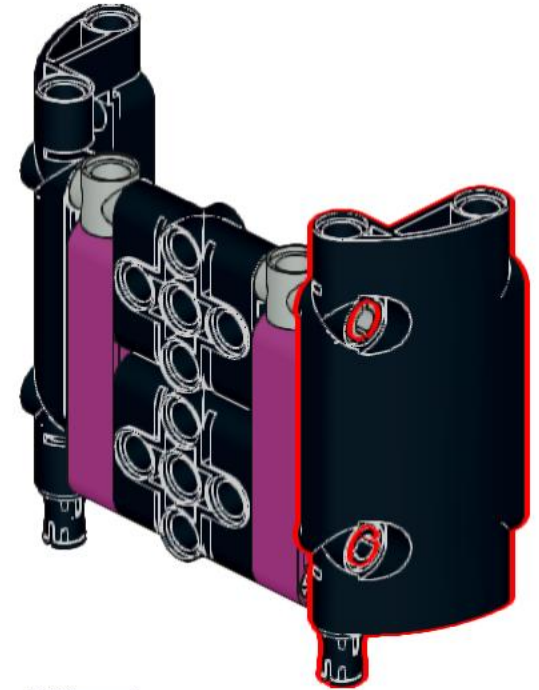
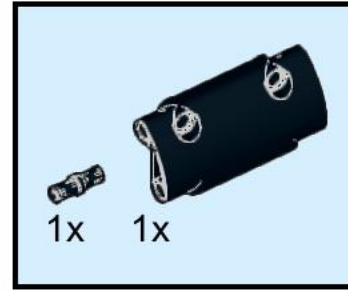
# 19



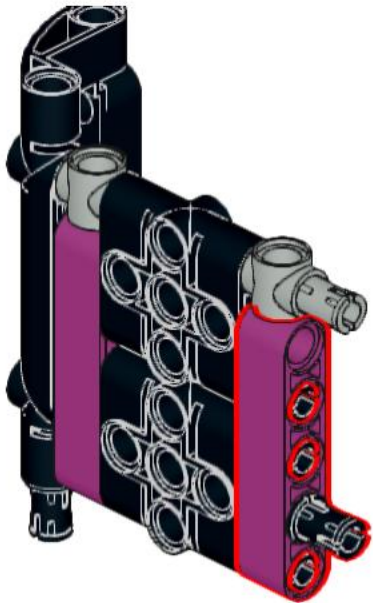
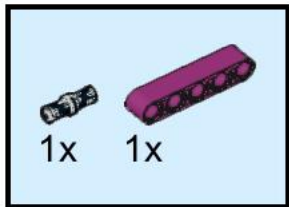
# 20



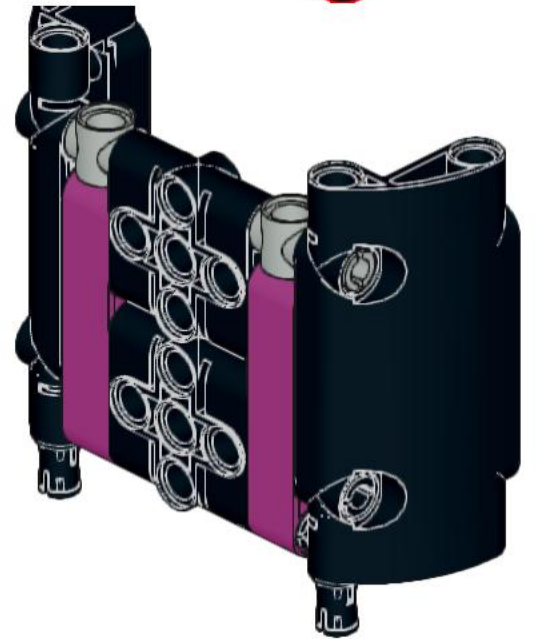
# 22



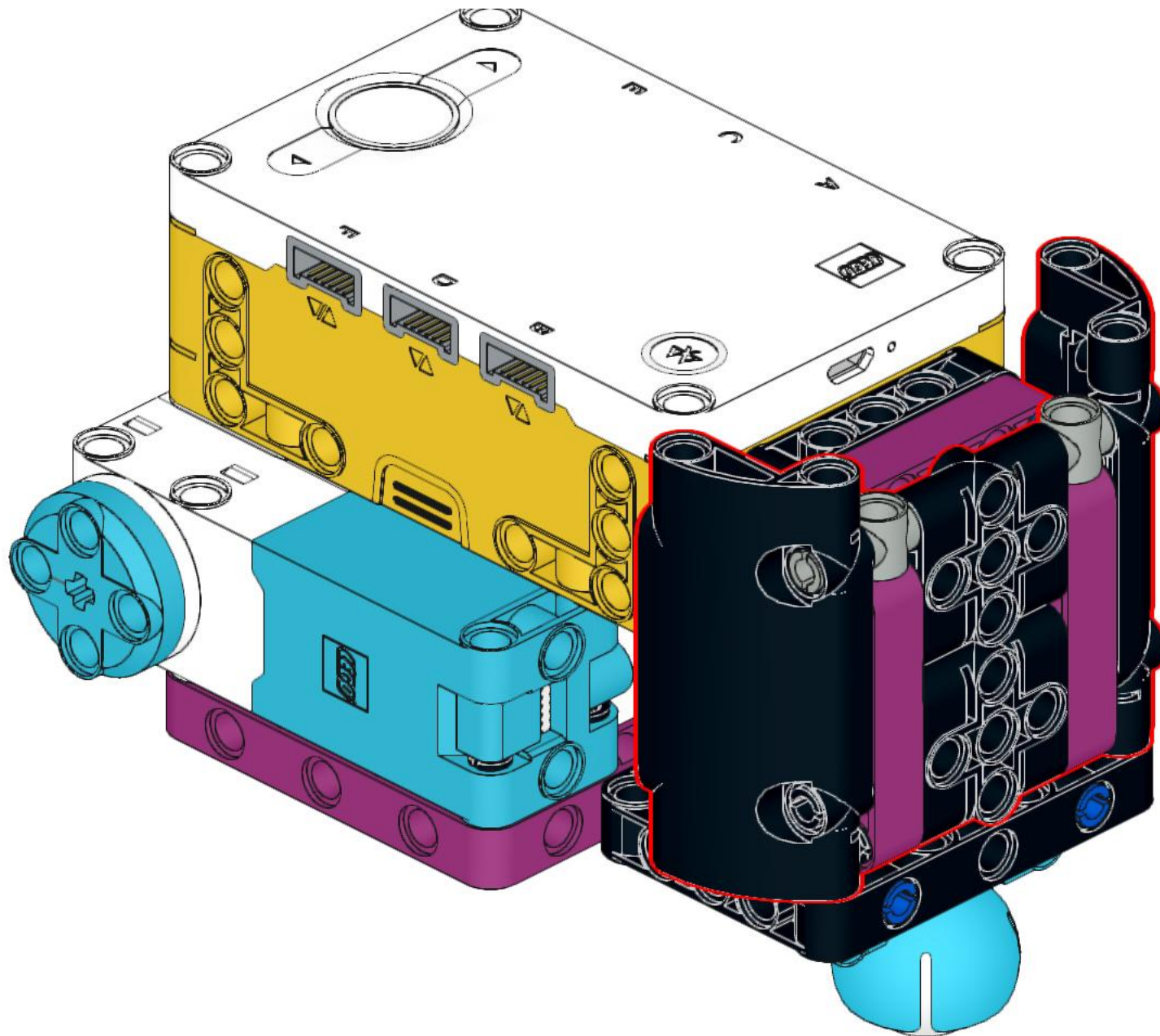
# 21



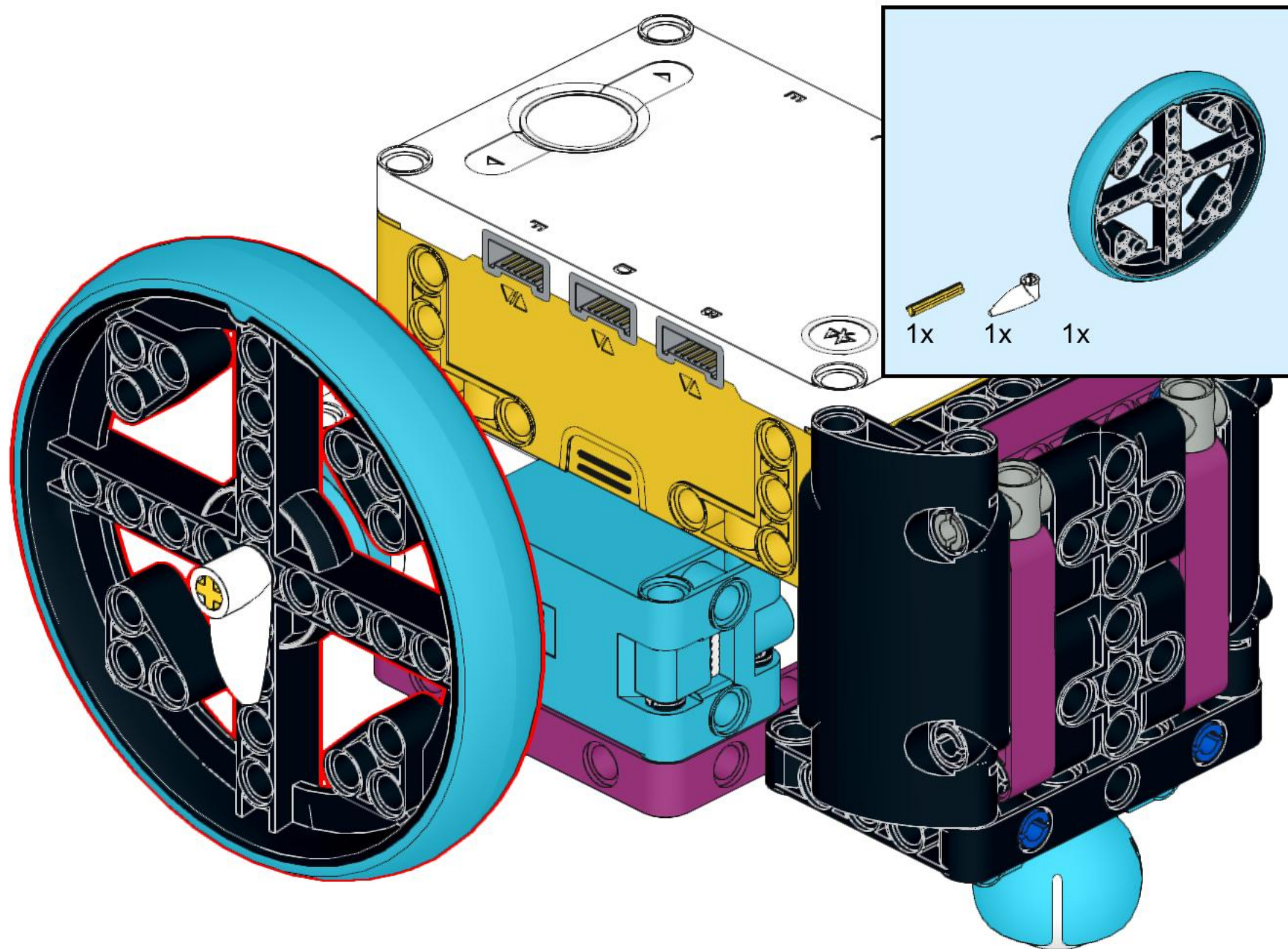
# 23



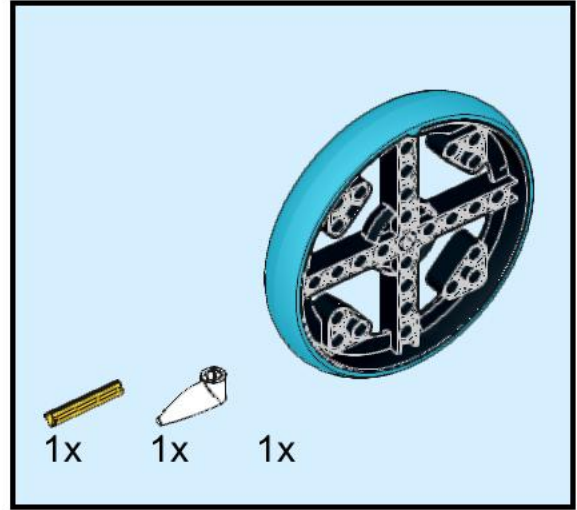
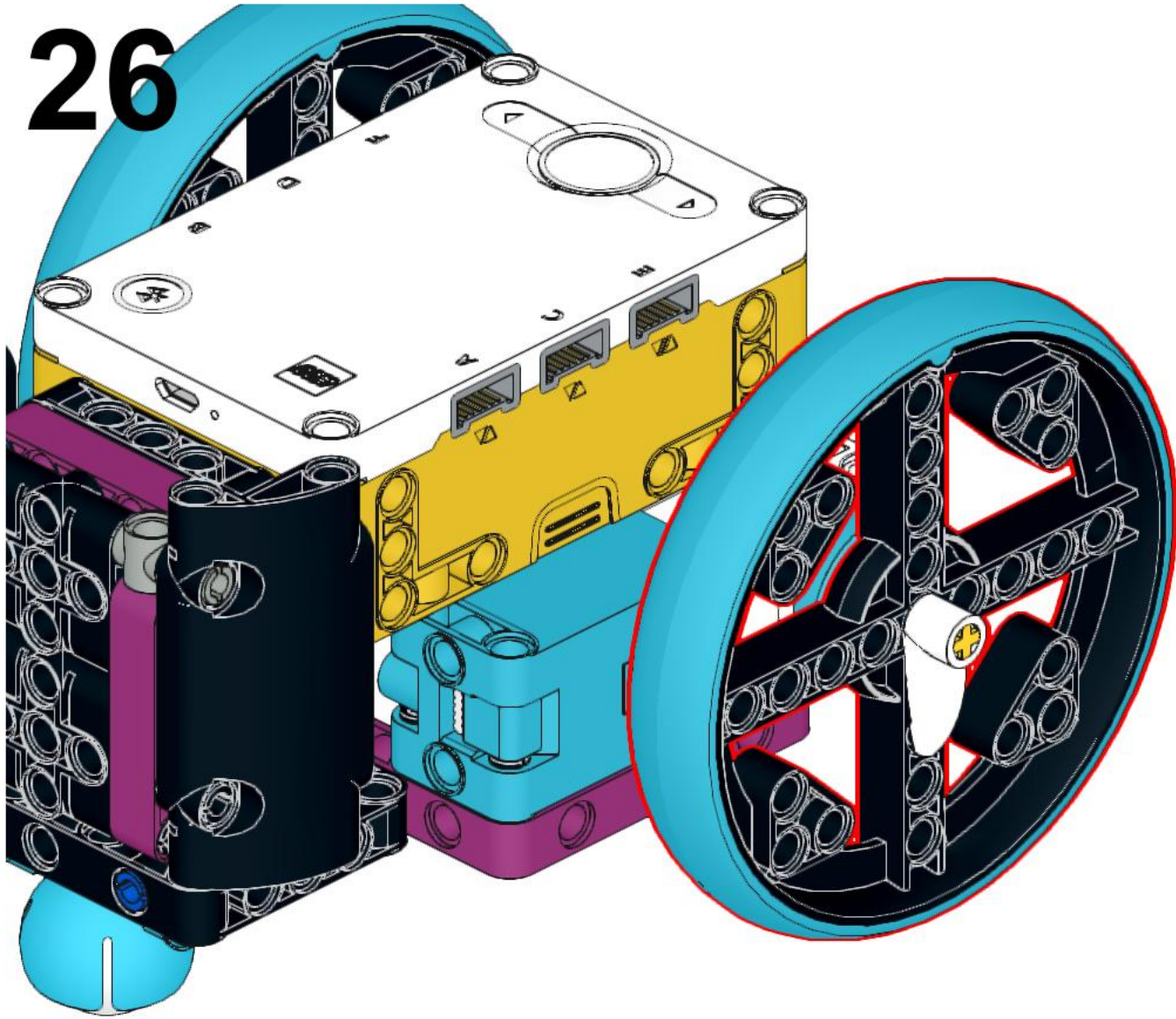
24



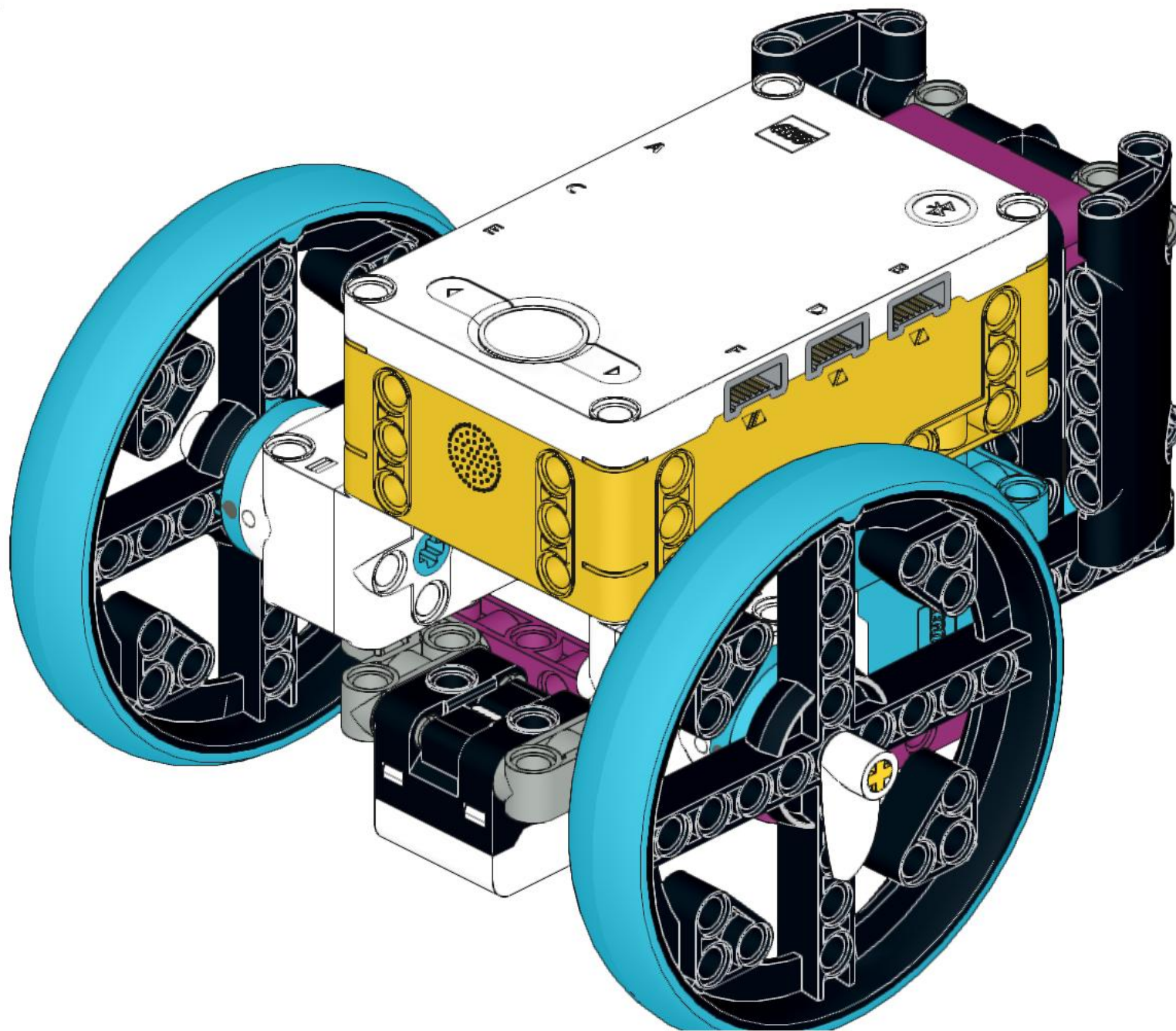
# 25



# 26



# 27





# Wiring

